

tube to the membrane housing inlet fitting simply pushing the tube into the fitting. Place the purifier under the sink in the chosen space.

It is mandatory to purge the system prior to use. To purge the purifier, leave DI inlet disconnected (green tube) in order to avoid purge water to ruin DI postfilter. Turn on the main shut off valve. Water will begin to run through the system. Let the water fill the system: discard water going out of the green tube. Make sure all water supply/drain lines are secure and free from leakage. Let the system purge for 20 minutes. Then connect the green tube to DI inlet simply pushing tube on the gray fitting up to top. Open hand valve at the outlet and let the water run for a couple of minutes. Your purifier is ready to operate. Use hand valve on the DI outlet to turn on/off the purifier.

4. FILTERS REPLACEMENT

NOTE: Sediment filter and carbon filters should be replaced each 6 to 12 month, depending on water quality. Membrane's life is around 3 years, and should be replaced when system gets clogged. Proceed to replace cartridges in time, to avoid shortening on the membrane's life. DI filter should be replaced when color changes to amber.

For bottom filters replacement:

1. Shut off the water supply and open hand valve outlet of the purifier.
2. Open the filter housings. Use one hand to hold the system and the other hand to turn the housing clockwise to open (Figure 6).
3. Remove the used filter and sanitize the housings with a bleaching solution (4 teaspouns of concentrate bleach in half a gallon of water), for about 2 minutes. Rinse gently the housings before next step, in order to avoid any residue of bleach to damage the membrane.
4. Insert new filters into each housing. Make sure that the O-ring is in place. Turn the housing counter-clockwise to close it.

Disconnect DI inlet (green tube) for purge (fig. 7). Turn on the water supply and purge the purifying system for 20 minutes. Make sure there are no leaks. Connect the DI cartridge inlet (green tube).

For DI postfilter replacement: Disconnect green tube from DI filter's inlet (fig.7). Take out DI filter from the white clip of the purifier and unscrew connectors on inlet and outlet. Screw fittings to the new filter using Teflon tape. Connect green tube to inlet. Place into clip.

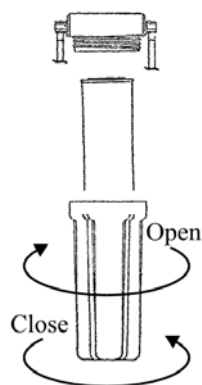


Figure 6

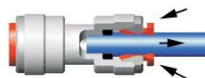


Figure 7

5. MEMBRANE FLUSH

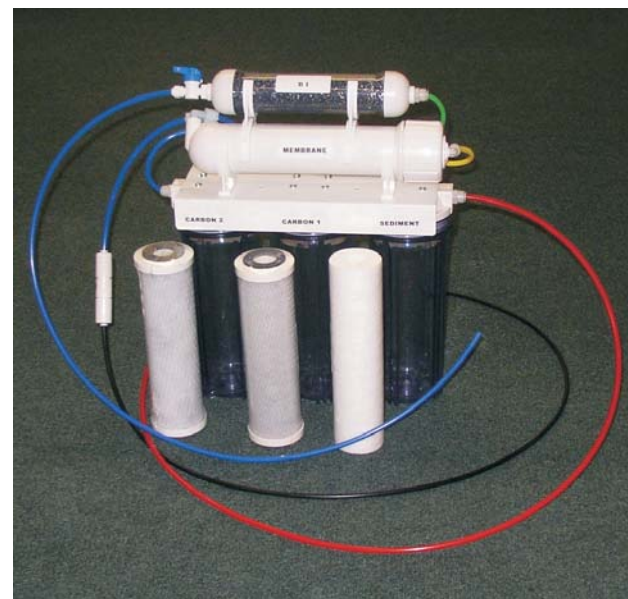
Disconnect flow restrictor from the purifier, as marked on fig.2 with the hand symbol (flow restrictor is located on the black tube line, marked with a number and an arrow). Let system work for 20 min for membrane clean-up. Then connect the flow restrictor to the purifier.

DEIONIZATION - REVERSE OSMOSIS PURIFIER

by Water Purification Supplies

wpsinfo@earthlink.net

Model: DIRO5D



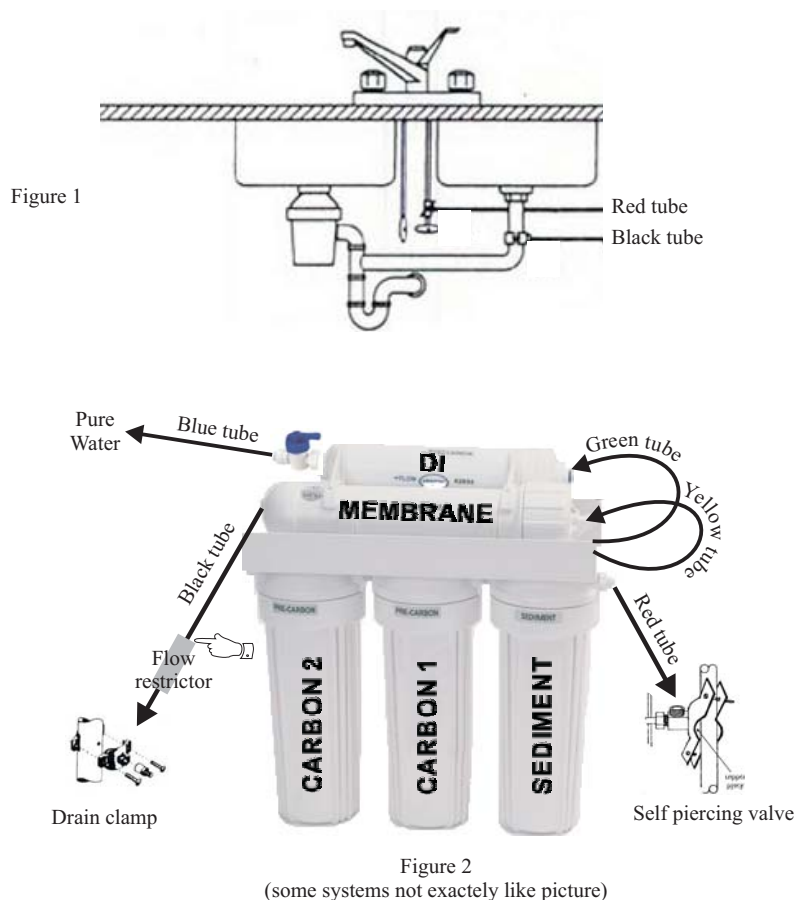
*Member,
Water Quality Association*

Read these instructions carefully before using the purifier. Keep these instructions in a safe and convenient location. Filters should be changed every six to twelve months depending on the quality of the water source. It is the responsibility of the purchaser to insure that the unit is installed to adhere to all local plumbing codes.

5 stages Deionization Reverse Osmosis Water Purification System

INSTRUCTIONS FOR INSTALLATION

General Diagram



1. Installing supply feed

Feed water can be obtained from a kitchen (under the sink), a restroom, a faucet or from a regular feed pipe available out of the wall. Locate the water shut-off valve for the cold water feed line you choose to use for the supply. Accidentally hooking up the system to the hot supply line will permanently damage the membrane. To assure you are using the cold water line, turn on both, the hot and cold faucet. After the water is warm to the touch, feel the pipes under the sink. It will be easy to identify the hot and cold pipes.

Close the cold water valve. Turn on the cold water faucet just to be sure that the line is completely shut off and the line is drained. If no shut off valve is located under the sink, or if the water continues to come out of the faucet, turn off the main supply at the entry to the location.

Solid copper pipe or PVC: Select a straight portion of pipe to install the self piercing valve. Assemble the valve as shown in figure 3. Be careful to have the rubber piece in place in order to avoid water leakage. Turn clockwise the hand valve to make a small hole in the pipe.

Connect the free extreme of the red tube, from the purifier inlet (see figure 2) to the self piercing valve, as shown in figure 4.

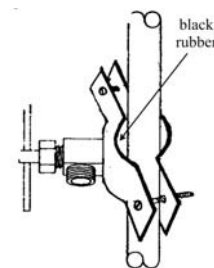


Figure 3



Figure 4

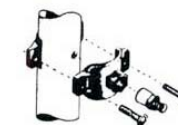


Figure 5

2. Installing the drain clamp

Select a location for the drain hole (Figure 1) based on the design of the plumbing. Place the drain outlet saddle on the drain pipe. Allow an adequate space for drilling. Tighten the bolts and nuts evenly on both sides, brackets should be parallel (Figure 5). Avoid over tightening.

Using the opening in the drain outlet saddle as a guide, drill a 1/4" hole in the drain pipe. Clean debris from the saddle and threads. Connect the black tube to the drain clamp: insert tube through the black nut, then tighten the nut to the drain clamp.

3. Placing filters and getting started

Open the bottom housings of the purifier (Figure 6) and place each of the filters in the corresponding housing according with the labels. Open the membrane housing from the right side, and insert the membrane through the double O-ring side; push gently (both O-rings must enter a hole located inside the housing). Close all housings. Connect the yellow